

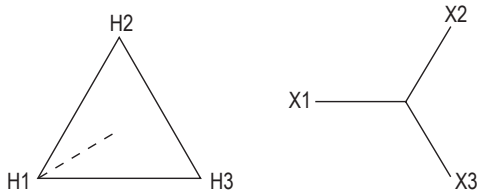
55 Saltsman Drive
 Cambridge, ON, N3H 4R7
 Tel: 519-653-1847
 Fax: 519-653-3658

Available KVA

15	300
30	450
45	500
75	600
112.5	750
150	1000
225	

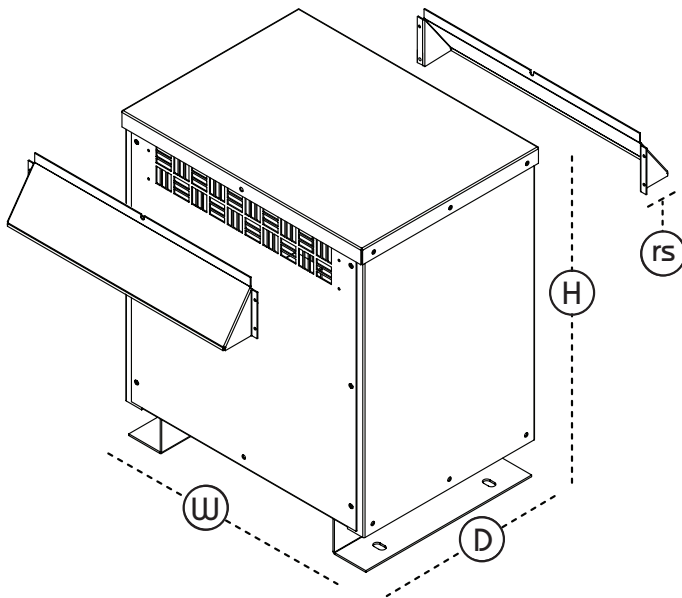
Winding Configuration

Delta Wye



Enclosure Specifications

All dimensions in inches



Standard Features

Input Voltage	600V
Output Voltage	120/208V
Transformer Type	K13 Rated
Phase	3 Ph
Frequency	60 Hz
Winding Material	Copper
Temp Rise	150°C
Insulation Class	220°C
Max Impedance	Approx. 5%
Minimum Efficiency	Per CSA 802.2
Regulation	Standard
Audible Noise	Per NEMA ST-20
Electrostatic Shield	Included, Single
Taps	4-2.5%, 2FCAN, 2FCBN
Neutral Rating	200% Rated
Enclosure	Type 1
Applicable Standards	CSA, UL

KVA	15-30	45-75	112-150	225-300	450-500	600-1000
H	26	32	42	49	62	76
W	22	26	30	36	52	66
D	18	20	24	27	36	38
D+rs	23	25	31	37	42	44

Options

Temp Rise	80°C, 115°C, 130°C
Electrostatic Shield	Double
Enclosure	Type 2, Type 3R
Thermal Sensors	Center Coil, All Coils

Client	
Project	
Notes	
Date	

