

55 Saltsman Drive
 Cambridge, ON, N3H 4R7
 Tel: 519-653-1847
 Fax: 519-653-3658

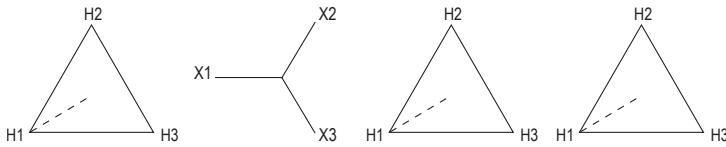
Available KVA

7.5	51	220
11	63	275
14	75	330
20	93	440
27	118	550
34	145	660
40	175	750

Winding Configuration

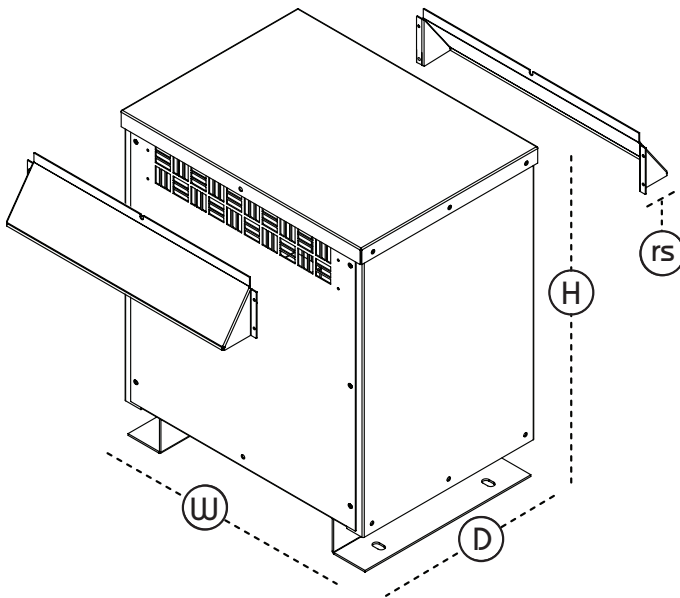
Delta Wye

Delta Delta



Enclosure Specifications

All dimensions in inches



Standard Features

Input Voltage	230V to 600V
Output Voltage	230V to 600V
Transformer Type	K13 Rated
Phase	3 Ph
Frequency	60 Hz
Winding Material	Copper
Temp Rise	150°C
Insulation Class	220°C
Max Impedance	Approx. 5%
Minimum Efficiency	Per CSA 802.2
Regulation	Standard
Audible Noise	Per NEMA ST-20
Electrostatic Shield	Included, Single
Taps	4-2.5%, 2FCAN, 2FCBN
Neutral Rating	200% Rated
Enclosure	Type 1
Applicable Standards	CSA, UL

KVA	15-30	45-75	112-150	225-300	450-500	600-1000
H	26	32	42	49	62	76
W	22	26	30	36	52	66
D	18	20	24	27	36	38
D+rs	23	25	31	37	42	44

Options

Temp Rise	80°C, 115°C, 130°C
Electrostatic Shield	Double
Enclosure	Type 2, Type 3R
Thermal Sensors	Center Coil, All Coils

Client	
Project	
Notes	
Date	

