

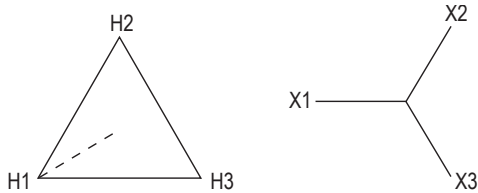
55 Saltsman Drive  
 Cambridge, ON, N3H 4R7  
 Tel: 519-653-1847  
 Fax: 519-653-3658

### Available KVA

15	300
30	450
45	500
75	600
112.5	750
150	1000
225	

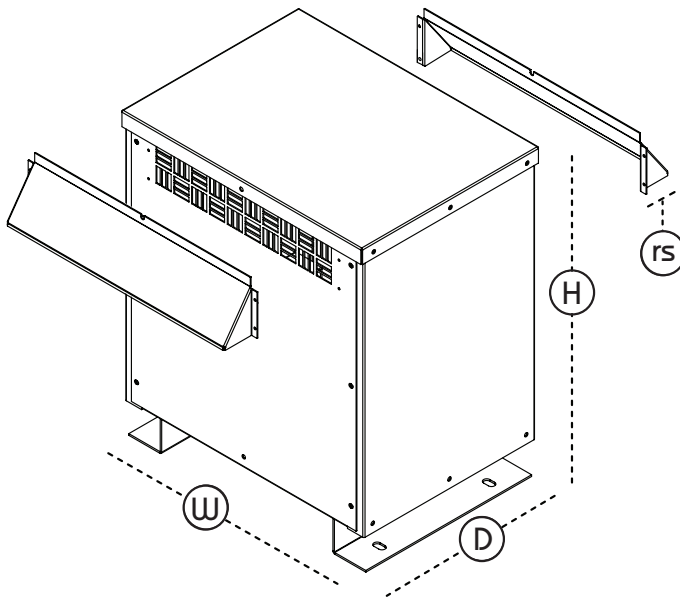
### Winding Configuration

Delta Wye



### Enclosure Specifications

All dimensions in inches



### Standard Features

Input Voltage	600V
Output Voltage	120/208V
Phase	3 Ph
Frequency	60 Hz
Winding Material	Copper/Alum
Temp Rise	150°C
Insulation Class	220°C
Max Impedance	Approx. 5%
Minimum Efficiency	Per CSA 802.2
Regulation	Standard
Audible Noise	Per NEMA ST-20
Electrostatic Shield	Not Included
Taps	4-2.5%, 2FCAN, 2FCBN
Enclosure	Type 1
Applicable Standards	CSA, UL

KVA	15-30	45-75	112-150	225-300	450-500	600-1000
H	26	32	42	49	62	76
W	22	26	30	36	52	66
D	18	20	24	27	36	38
D+rs	23	25	31	37	42	44

### Options

Temp Rise	80°C, 115°C, 130°C
Electrostatic Shield	Single, Double
Enclosure	Type 2, Type 3R
Thermal Sensors	Center Coil, All Coils

Client	
Project	
Notes	
Date	

